
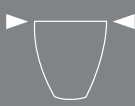





Delano Tall Planters



Texture Detail



		dimensions				volume capacity	planter ref.#	saucer ref.#
								
A	Delano Tall 16" Planter	16.00 in 40,6 cm	7.10 in 18,0 cm	13.10 / 12.20 in 33,3 / 31,0 cm	17.60 in 44,7 cm	4.50 gal 17,0 l	A5540XX	A9908XXT



IN-STOCK QUICK SHIP COLORS



Old Bronze Ref: 14



Caviar Black Ref: 94



Mocha Ref: 44



Slate Ref: 97



Midnight Ref: 55